

EYP-BAL-0808-00005-2013-SOT12-0010

Revision 0.92

08.04.2014

page 1 of 4

BROAD AREA LASER

GaAs Semiconductor Laser Diode
Single Emitter Structure



General Product Information

Product	Application
808 nm Broad Area Laser for Pulse Mode Operation sealed TO Housing	Sensing

Absolute Maximum Ratings

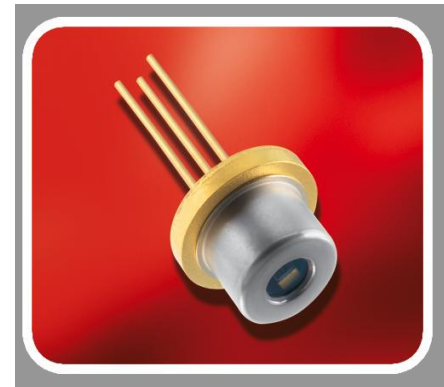
	Symbol	Unit	min	typ	max
Storage Temperature	T_S	°C	-40		85
Operational Temperature at Case	T_C	°C	-20		65
Peak Current	$I_{F Peak}$	A			8
Reverse Voltage	V_R	V			0
Peak Output Power	$P_{opt Peak}$	W			7
Forward Voltage at Peak	V_F	V			2.7

Recommended Operational Conditions (Pulse Mode)

	Symbol	Unit	min	typ	max
Operational Temperature at Case	T_C	°C	15		40
Forward Current	$I_{F Peak}$	A			8
Output Power	$P_{opt Peak}$	W		6	

Characteristics at $T_{amb} 25\text{ °C}$, Pulse Mode, Begin Of Life

Parameter	Symbol	Unit	min	typ	max
Center Wavelength	λ_C	nm	803	808	815
Spectral Width (FWHM)	$\Delta\lambda$	nm		2	
Temperature Coefficient of Wavelength	$d\lambda / dT$	nm / K		0.3	
Peak Output Power @ $I_F = 8\text{ A}$	$P_{opt Peak}$	W	5	6	
Threshold Current	I_{th}	A		0.85	
Operational Current @ $P_{opt Peak} = 5\text{ W}$	I_{op}	A			8
Differential Series Resistance	R_S	Ω		0.15	



Every condition of the Absolute Maximum Ratings has to be kept during operation

see Pulse Mode Conditions

see Pulse Mode Conditions

see Pulse Mode Conditions

Measurement Conditions / Comments

see Pulse Mode Conditions

see Pulse Mode Conditions

Measurement Conditions / Comments

see Pulse Mode Conditions

see Pulse Mode Conditions

see Pulse Mode Conditions

EYP-BAL-0808-00005-2013-SOT12-0010

Version 0.92

08.04.2014

page 2 of 4

BROAD AREA LASER

GaAs Semiconductor Laser Diode
Single Emitter Structure



Characteristics at T_{amb} 25 °C, Pulse Mode, Begin Of Life

Parameter	Symbol	Unit	min	typ	max
Cavity Length	L	μm		2000	
Stripe width	Ws	μm		130	
Divergence parallel (FWHM)	$\Theta_{ }$	$^{\circ}$	7	10	13
Divergence perpendicular (FWHM)	Θ_{\perp}	$^{\circ}$	25	30	35
Polarization				TM	
Spectral Mode (longitudinal)				Multi Mode	

Measurement Conditions / Comments

E field perpendicular to Pin 2 - Pin 3 - plane

Pulse Mode Conditions

Parameter	Symbol	Unit	min	typ	max
Pulse Length	t_p	μs			5
Pulse Repetition Rate	RR	s^{-1}			10 000
Duty Cycle	D	%			5

Measurement Conditions / Comments

EYP-BAL-0808-00005-2013-SOT12-0010

Revision 0.92

08.04.2014

page 3 of 4

BROAD AREA LASER

GaAs Semiconductor Laser Diode
Single Emitter Structure



Package Dimensions

Parameter	Symbol	Unit	min	typ	max
Height of Emission Plane	d_{EP}	mm		3.65	
Excentricity of Emission Center	R	mm			0.12
Pin Length	l	mm		14.0	

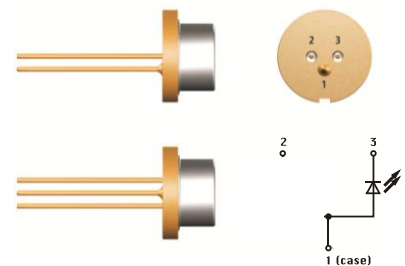
Measurement Conditions / Comments

reference plane A: top side of TO header

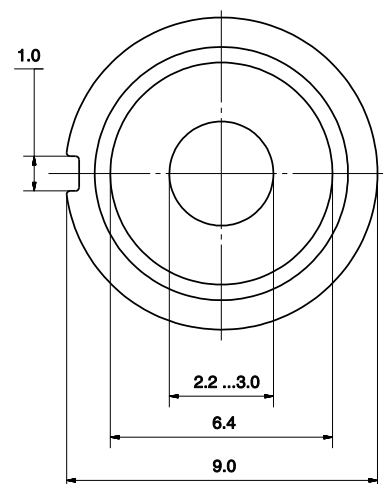
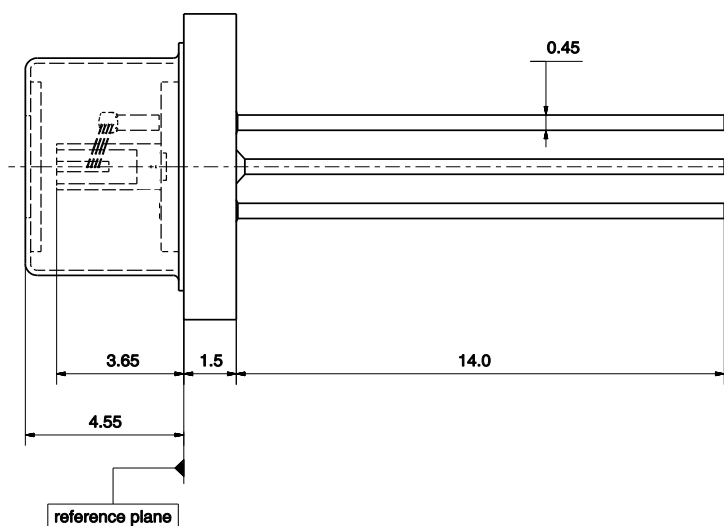
reference B: center of outer diameter of header

Package Pinout

Laser Anode (+) connected to case	1
not connected	2
Laser Cathode (-)	3



Package Drawings



EYP-BAL-0808-00005-2013-SOT12-0010

Revision 0.92

08.04.2014

page 4 of 4

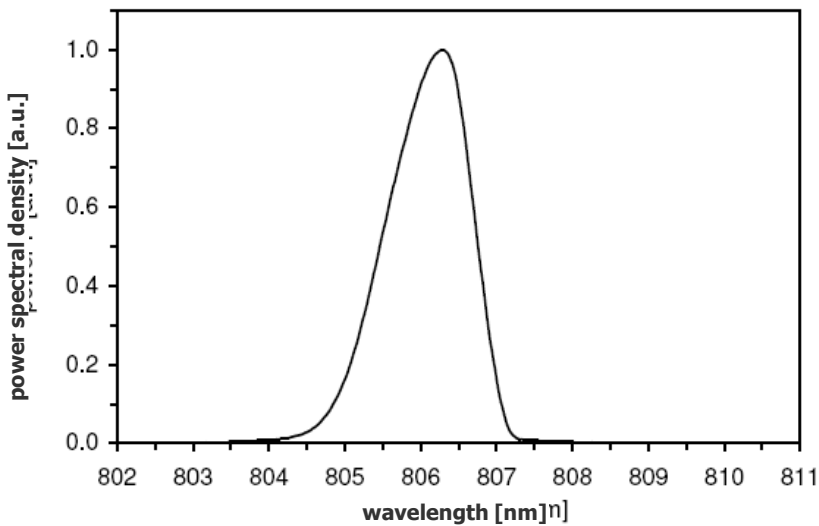
BROAD AREA LASER

GaAs Semiconductor Laser Diode
Single Emitter Structure



Typical Measurement Results

Spectrum



Performance figures, data and any illustrative material provided in this specification are typical and must be specifically confirmed in writing by eagleyard Photonics before they become applicable to any particular order or contract. In accordance with the eagleyard Photonics policy of continuous improvement specifications may change without notice.

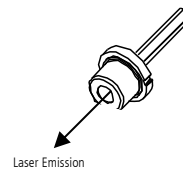
Unpacking, Installation and Laser Safety

Unpacking the laser diodes should only be done at electrostatic safe workstations (EPA). Though protection against electro static discharge (ESD) is implemented in the laser package, charges may occur at surfaces. Please store this product in its original package at a dry, clean place until final use. During device installation, ESD protection has to be maintained.

The BAL diode type is known to be sensitive against thermal stress. Operating at moderate temperatures on proper heat sinks will contribute to a long lifetime of the diode.

The laser emission from this diode is close to the invisible infrared region of the electromagnetic spectrum. Avoid direct and/or indirect exposure to the free running beam. Collimating the free running beam with optics as common in optical instruments will increase threat to the human eye.

Each laser diode will come with an individual test protocol verifying the parameters given in this document.



IEC 60825-1



Complies with 21 CFR 1040.10 and 1040.40