

# EYP-RWS-0780-00080-1500-TOV01-0000

Revision 0.81

2021-02-19

## SINGLE FREQUENCY LASER DIODES Stabilized Ridge Waveguide Laser

### General Product Information

Product	Application
780 nm Wavelength Stabilized Laser	Metrology
with hermetic 8-Pin TO Package (RoHS compliant)	Interferometry
including Monitor Diode, Thermoelectric Cooler and Thermistor	



### Absolute Maximum Ratings

Parameter	Symbol	Unit	min	typ	max
Storage Temperature	$T_S$	°C	-40		85
Operational Temperature at Case	$T_C$	°C	-20		75
Operational Temperature at Laser Chip	$T_{LD}$	°C	0		50
Forward Current	$I_F$	mA			200
Reverse Voltage	$V_R$	V			2
Output Power	$P_{opt}$	mW			100
TEC Current	$I_{TEC}$	A			1.0
TEC Voltage	$V_{TEC}$	V			1.0

#### Measurement Conditions / Comments

Stress in excess of one of the Absolute Maximum Ratings may damage the laser. Please note that a damaging optical power level may occur although the maximum current is not reached. These are stress ratings only, and functional operation at these or any other conditions beyond those indicated under Recommended Operational Conditions is not implied.

### Recommended Operational Conditions

Parameter	Symbol	Unit	min	typ	max
Operational Temperature at Case	$T_{case}$	°C	-20		65
Operational Temperature at Laser Chip	$T_{LD}$	°C	15		45
Forward Current	$I_F$	mA			180
Output Power	$P_{opt}$	mW	20		80

#### Measurement Conditions / Comments

measured by integrated Thermistor

### Characteristics at $T_{LD} = 25^\circ \text{C}$ at BOL

Parameter	Symbol	Unit	min	typ	max
Center Wavelength	$\lambda_c$	nm	778	780	783
Selectable Linewidth	$\Delta\lambda$	pm			0.1
Overall Linewidth	$\Delta\lambda$	nm			0.2
Temperature Coefficient of Wavelength	$d\lambda / dT$	nm / K		0.06	
Current Coefficient of Wavelength	$d\lambda / dI$	nm / mA		0.003	
Sidemode Suppression Ratio	SMSR	dB	30	45	

#### Measurement Conditions / Comments

single mode operation (see p. 4)

multi mode operation (see p. 4)

under single mode condition

# EYP-RWS-0780-00080-1500-TOV01-0000

Revision 0.81

2021-02-19

## SINGLE FREQUENCY LASER DIODES Stabilized Ridge Waveguide Laser



### Characteristics at $T_{LD} = 25^\circ\text{C}$ at BOL cont'd

Parameter	Symbol	Unit	min	typ	max
Laser Current @ $P_{opt} = 80\text{ mW}$	$I_{LD}$	mA			180
Slope Efficiency	$\eta$	W / A	0.6	1.0	1.4
Threshold Current	$I_{th}$	mA			70
Divergence parallel (FWHM)	$\Theta_{  }$	°		8	
Divergence perpendicular (FWHM)	$\Theta_{\perp}$	°		21	

#### Measurement Conditions / Comments

parallel to Pin 1 - Pin 6 plane (see p. 3)  
perpendicular to Pin 1 - Pin 6 plane (see p. 3)

### Monitor Diode

Parameter	Symbol	Unit	min	typ	max
Monitor Detector Responsivity	$I_{mon} / P_{opt}$	$\mu\text{A/mW}$		2	

#### Measurement Conditions / Comments

$U_R = 5\text{ V}$

### Thermoelectric Cooler

Parameter	Symbol	Unit	min	typ	max
Current	$I_{TEC}$	A		0.4	
Voltage	$U_{TEC}$	V		0.4	
Power Dissipation (total loss at case)	$P_{loss}$	W		0.4	
Temperature Difference	$\Delta T$	K			40

#### Measurement Conditions / Comments

$P_{opt} = 80\text{ mW}, \Delta T = 20\text{ K}$   
 $P_{opt} = 80\text{ mW}, \Delta T = 20\text{ K}$   
 $P_{opt} = 80\text{ mW}, \Delta T = 20\text{ K}$   
 $P_{opt} = 80\text{ mW}, \Delta T = |T_{case} - T_{LD}|$

### Thermistor (Standard NTC Type)

Parameter	Symbol	Unit	min	typ	max
Resistance	R	$k\Omega$		10	
Beta Coefficient	$\beta$			3930	
Steinhart & Hart Coefficient A	A			$1.029 \times 10^{-3}$	
Steinhart & Hart Coefficient B	B			$2.510 \times 10^{-4}$	
Steinhart & Hart Coefficient C	C			$1.051 \times 10^{-7}$	

#### Measurement Conditions / Comments

$T_{LD} = 25^\circ\text{C}$   
 $R_1 / R_2 = e^{\beta(1/T_1 - 1/T_2)}$  at  $T_{LD} = 0^\circ \dots 50^\circ\text{C}$   
 $1/T = A + B(\ln R) + C(\ln R)^3$   
T: temperature in Kelvin  
R: resistance at T in Ohm

# EYP-RWS-0780-00080-1500-TOV01-0000

Revision 0.81

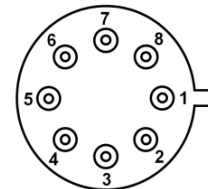
2021-02-19

## SINGLE FREQUENCY LASER DIODES Stabilized Ridge Waveguide Laser

### Pin Assignment

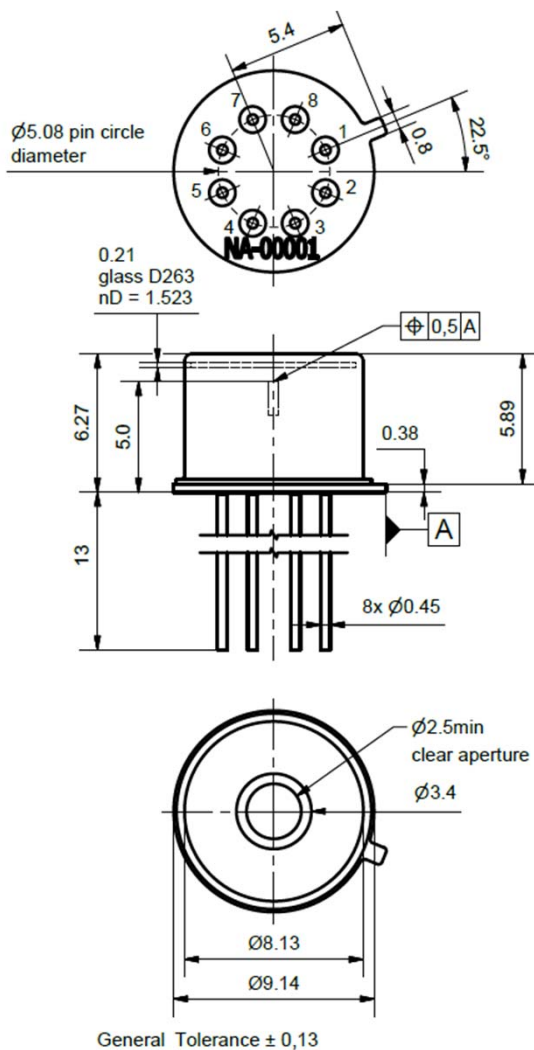
1 Laser Diode Anode	5 Thermistor
2 Laser Diode Cathode	6 Thermistor
3 Thermoelectric Cooler (-)	7 Photo Diode Anode
4 Thermoelectric Cooler (+)	8 Photo Diode Cathode

All 8 pins are isolated from case.



bottom view

### Package Drawings



AIZ-19-0129-1426B

# EYP-RWS-0780-00080-1500-TOV01-0000

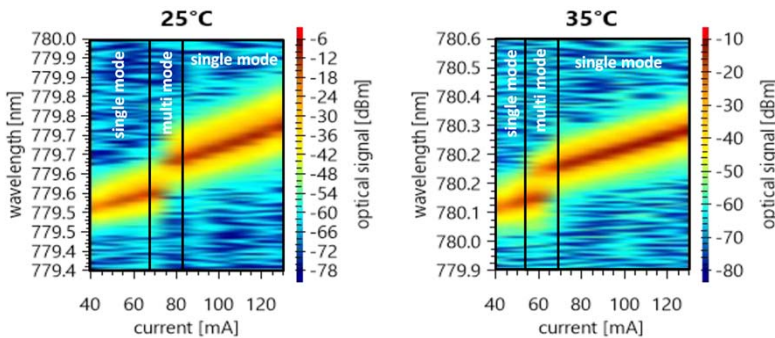
Revision 0.81

2021-02-19

## SINGLE FREQUENCY LASER DIODES Stabilized Ridge Waveguide Laser

### Typical Measurement Results

Spectral maps at 25° C and 35° C



The spectral maps show the power spectral density at different operating modes. The graphs illustrate that the laser exhibits single and multi mode behavior under different operational conditions. The spectral maps may differ from part to part. Single mode operation can be achieved by selecting the appropriate laser current and temperature.

### Unpacking, Installation and Laser Safety

Unpacking the laser diodes should only be done at electrostatic safe workstations (EPA). Though protection against electro static discharge (ESD) is implemented in the laser package, charges may occur at surfaces. Please store this product in its original package at a dry, clean place until final use. During device installation, ESD protection has to be maintained.

The RWS laser is sensitive against optical feedback, so an optical isolator may be required in order to avoid any disturbance of the emission spectrum. Operating at moderate temperatures on proper heat sinks will contribute to a long lifetime of the diode.

Avoid direct and/or indirect exposure to the free running beam. Collimating and focussing the free running beam with optics as common in optical instruments will increase threat to the human eye.

Performance figures, data and any illustrative material provided in this specification are typical and must be specifically confirmed in writing by eagleyard Photonics before they become applicable to any particular order or contract. In accordance with the eagleyard Photonics policy of continuous improvement specifications may change without notice.

